

NON-PENETRATING ROOF MOUNTS

Product Features:

These non-penetrating roof mounts are constructed of steel and use standard concrete blocks to anchor. For use with DBS, antenna, and satellite internet systems.

FRM-125
60" mast with 1.25" O.D.

FRM-166
30" mast with 1.25" O.D.

FRM-200
30" mast with 1.25" O.D.

FRM-238
30" mast with 1.25" O.D.

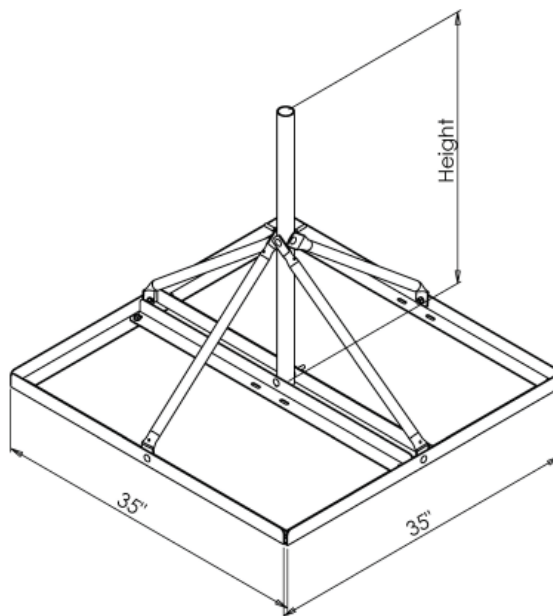
Product Specifications: *(for Architects & Engineers)*

The non-penetrating roof mount for antenna's and satellite dishes is the Video Mount Products (VMP) model FRM-____. The mount shall be primarily constructed of angular and tubular steel. The mount shall be constructed as to allow up to 8 standard size concrete blocks to be used as ballast for the mount. The mount shall be painted with weather resistant powder coat paint.

Video Mount Products
325 Log Canoe Circle
Stevensville, MD 21666
Phone: 410.643.6390
Fax: 410.643.6615
www.videomount.com



Model	Mast Height
FRM125	60"
FRM166	30"
FRM200	30"
FRM238	30"



VMP
VIDEO MOUNT PRODUCTS